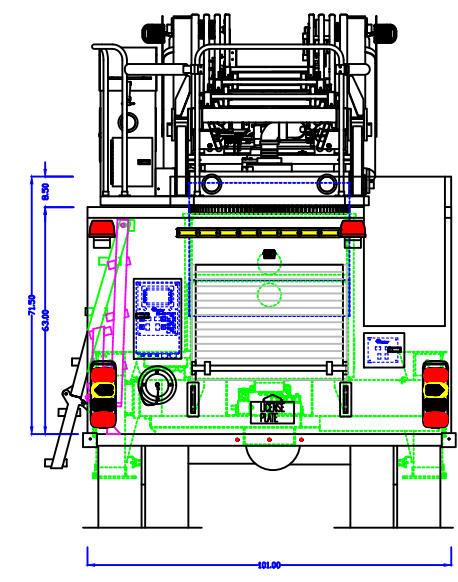
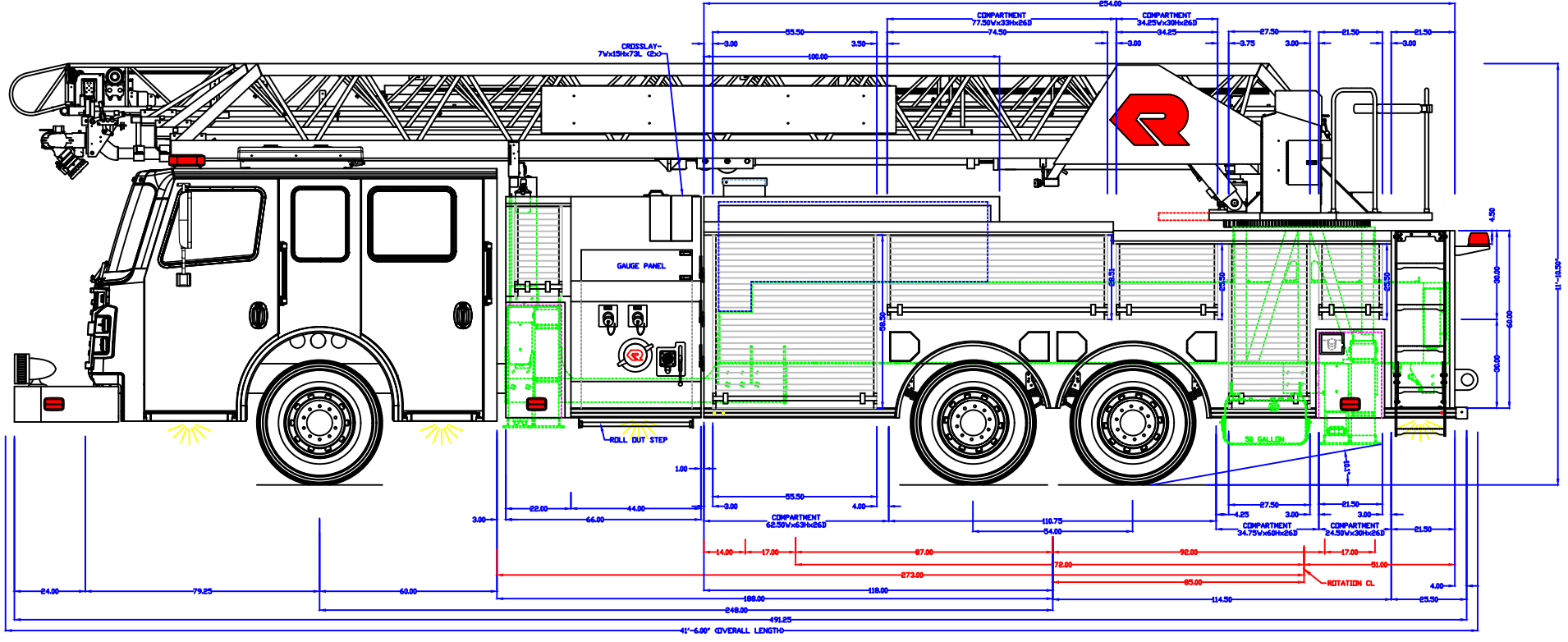
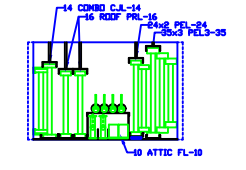
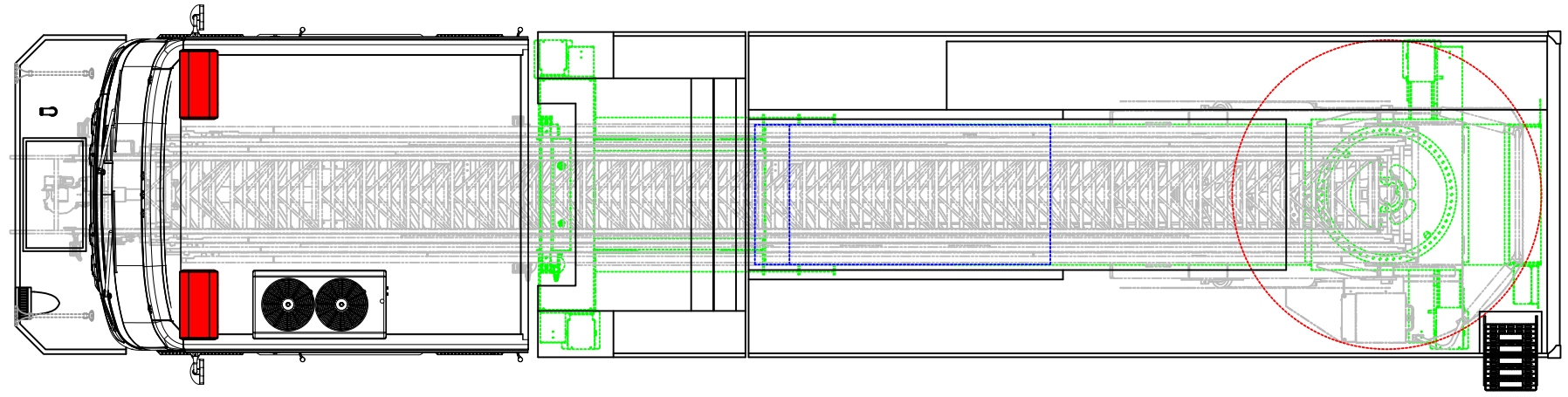


- NOTES:
1. OVERALL HEIGHT IS IN LOADED CONDITION. UNLOADED HEIGHTS MAY BE 4" ABOVE HEIGHTS SHOWN.
  2. DO NOT SCALE DRAWING.
  3. ALL DIMENSIONS ARE APPROXIMATE AND SUBJECT TO ENGINEERING CHANGES.
  4. DRAWING MAY OR MAY NOT SHOW ALL ITEMS AS DESCRIBED IN THE WRITTEN DETAIL SPECIFICATIONS.
  5. INCLUSION OF AN ITEM ON THE DRAWING DOES NOT CONSTITUTE INCLUSION OF THAT ITEM WITH THE FINAL DELIVERED UNIT.
  6. THE EFFECTIVE DOOR OPENINGS WILL BE APPROX. 2" LESS THAN THE NOTED COMPARTMENT OPENING FOR ROLL UP DOORS AND UP TO APPROX. 4" LESS FOR HINGED DOORS



INITIALS: EH  
 JOB NUMBER: 7683  
 DATE: 9/1/2023

MAIN FILE: --  
 DEPT: --  
 DEALER: --  
**PRODUCTION APPROVED**

APPROVED BY:

CHASSIS: COMMANDER 6000  
 PUMP: ROSENBAUER 1500 GPM  
 TANK: POLY/400  
 PANEL MATL: LINE-X  
 COMP INTERIOR: SPATTER PAINTED

REVISED: -	DATE: -
REVISED: SRN	DATE: 4/28/21
REVISED: SRN	DATE: 4/27/21
REVISED: SRN	DATE: 6/8/20
REVISED: SRN	DATE: 12/10/19
DRAWN: SRN	DATE: 5/1/19

PROPRIETARY AND CONFIDENTIAL  
 THE INFORMATION CONTAINED IN THIS DRAWING IS THE SOLE PROPERTY OF ROSENBAUER. ANY REPRODUCTION IN PART OR AS A WHOLE WITHOUT THE WRITTEN PERMISSION OF ROSENBAUER IS PROHIBITED.

MAXIMUM HEIGHT	NONE
MAXIMUM LENGTH	NONE
BODY WIDTH	101"

**RSD STOCK**  
**109' VIPER**



ROSENBAUER FX 1/8"  
 DRAWING NUMBER: RSD STOCK 109 VIPER DV OR - LIGHT  
 REV: -

