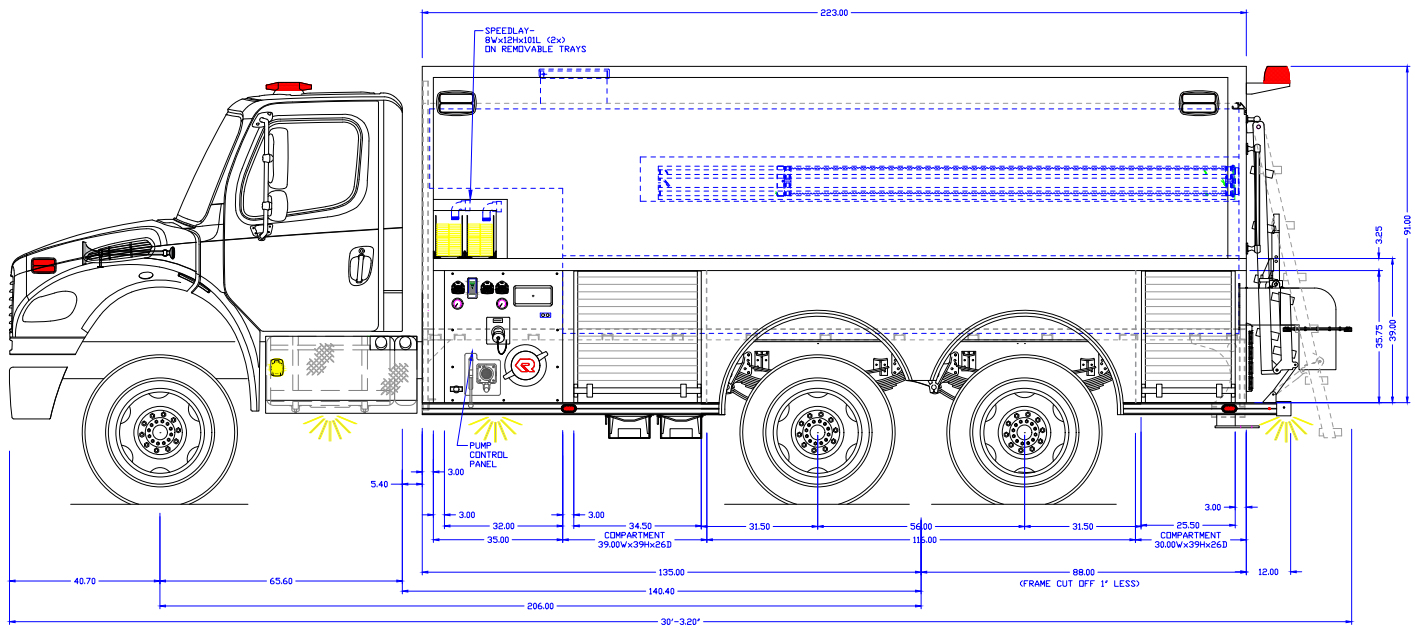


STOCK COMMERCIAL TANKER



3000 GAL



CHASSIS

- Freightliner M2 106+ chassis
- Seating for two (2)
- Detroit DD8 375 hp engine
- Allison 3000 EVS transmission
- Axles 16,000# front 46,000# rear
- Electronic stability control
- Michelin tires
- Polished aluminum rims
- Heated mirrors
- 9 11 SCBA seats
- 50 gallon fuel tank
- Treadplate cab step overlays
- Hood mounted air horns

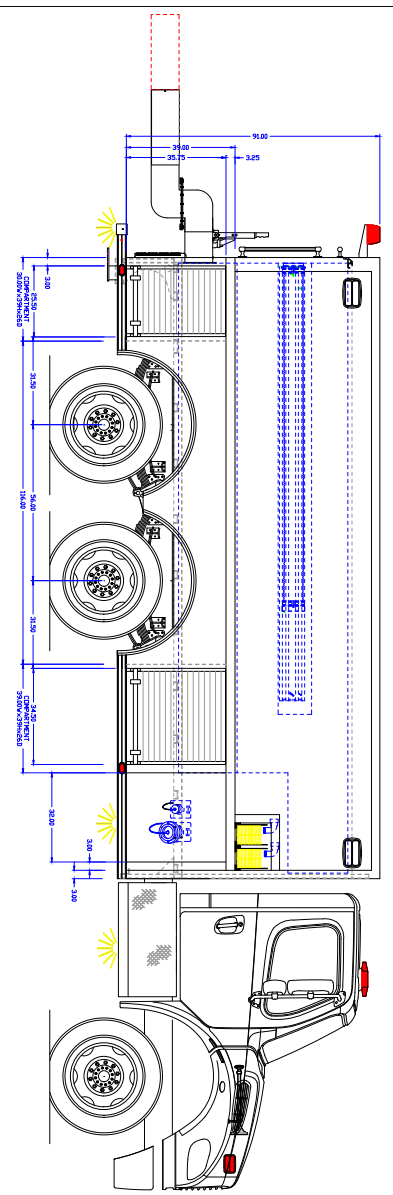
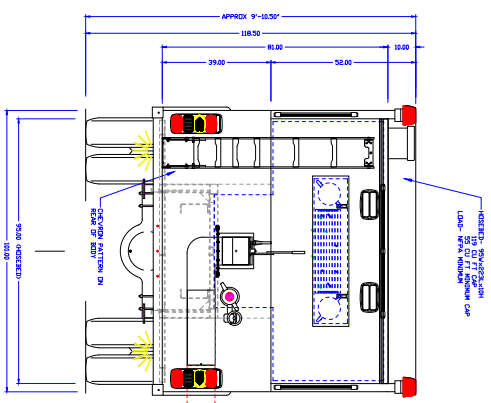
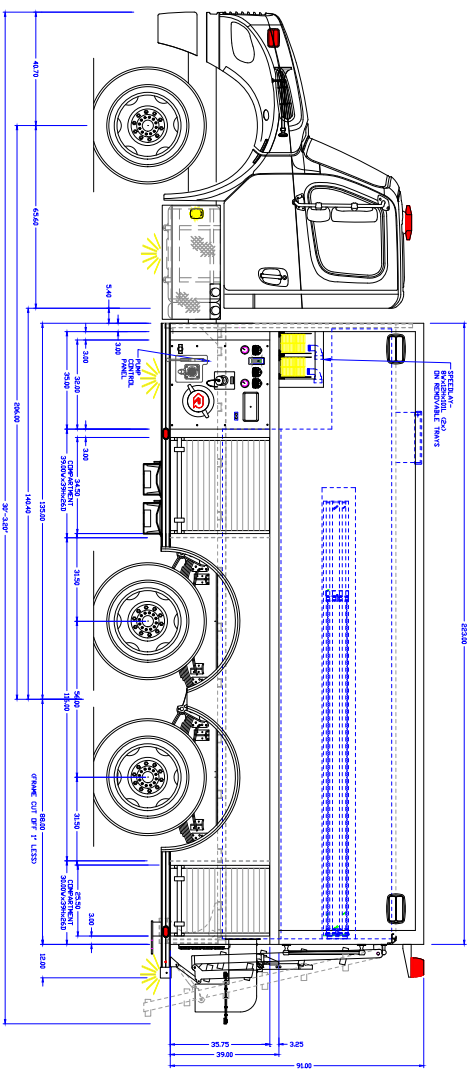
PUMP & PLUMBING

- Darley PSP 1250 gpm pump
- FRC InControl TGA 300 governor
- 3000 gallon water tank
- Two (2) speedlay pre-connects
- Left, right and rear discharges
- Rear square dump with swivel
- 4" rear direct tank fill

BODY

- Rosenbauer FX 1/8" aluminum body
- 5 year body construction warranty
- Hot dip galvanized sub frame
- Whelen warning light package
- 39" high compartments
- ROM roll-up doors
- ROM V3 LED compartment lighting
- Rosenbauer EZ climb ladder at the rear
- Storage for four (4) SCBA cylinders
- Folding tank storage in water tank
- Suction hose storage in water tank
- Equipped with suction hose and 3000 gallon folding tank

- NOTES:
1. Overall height is in LOADED condition. UNLOADED HEIGHTS MAY BE 4" ABOVE HEIGHTS SHOWN.
 2. DO NOT SCALE DRAWING.
 3. ALL DIMENSIONS ARE APPROXIMATE AND SUBJECT TO ENGINEERING CHANGES.
 4. DRAWING MAY OR MAY NOT SHOW ALL DETAIL SPECIFICATIONS.
 5. INCLUSION OF AN ITEM ON THE DRAWING DOES NOT CONSTITUTE AN INCLUSION OF THAT ITEM WITH THE FINAL DELIVERED UNIT.
 6. APPROX. 2" LESS THAN THE NOTED COMPARTMENT OPENING FOR ROLL UP FOR HINGED DOORS




APPROVED BY: _____

CHASSIS: FREIGHTLINER ZDR
 PUMP: DARLEY PSP 1250 GPM
 TANK: POLY/3000
 PANEL MATL: LINE X

REVISED	BY	DATE
01	MJ	2-13-24

PROPRIETARY AND CONFIDENTIAL
 THE INFORMATION CONTAINED IN THIS DRAWING IS THE PROPERTY OF ROSENBAUER AND IS NOT TO BE REPRODUCED IN ANY MANNER WITHOUT THE WRITTEN PERMISSION OF ROSENBAUER IS

COMP INTERIOR	SPATTER PAINTED
MAXIMUM HEIGHT	NONE
MAXIMUM LENGTH	NONE
BODY WIDTH	101"



ROSENBAUER PX 1/8"

ROSENBAUER