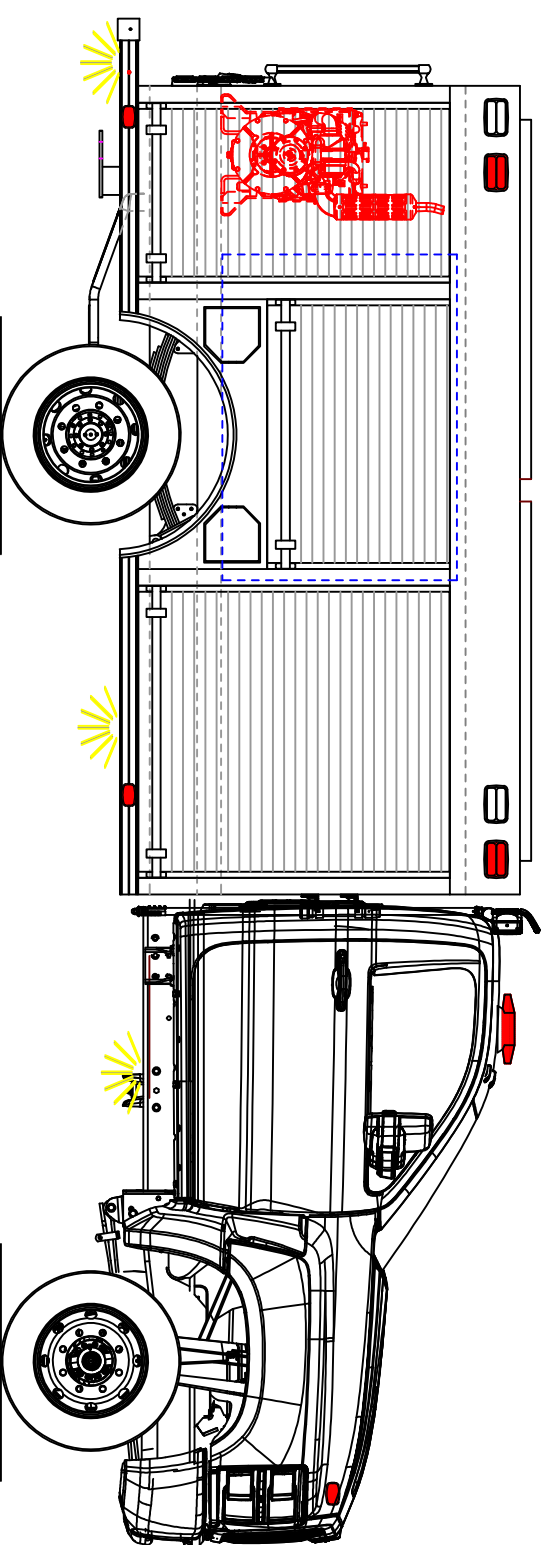
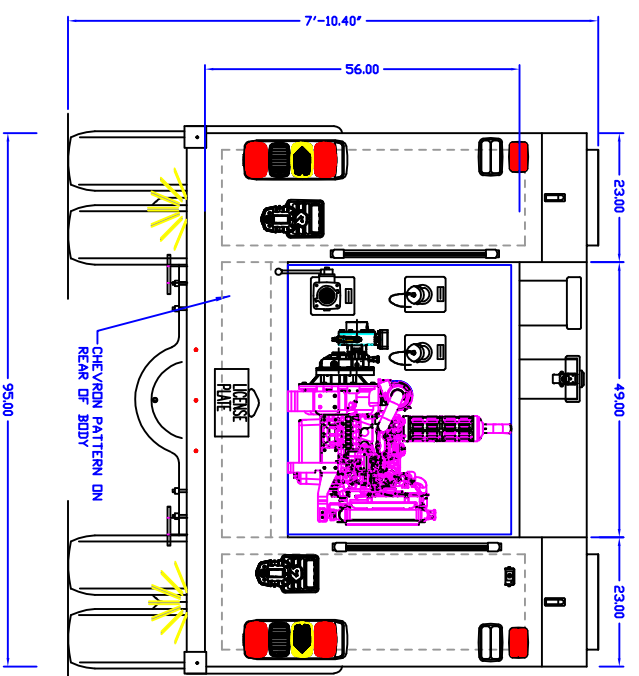
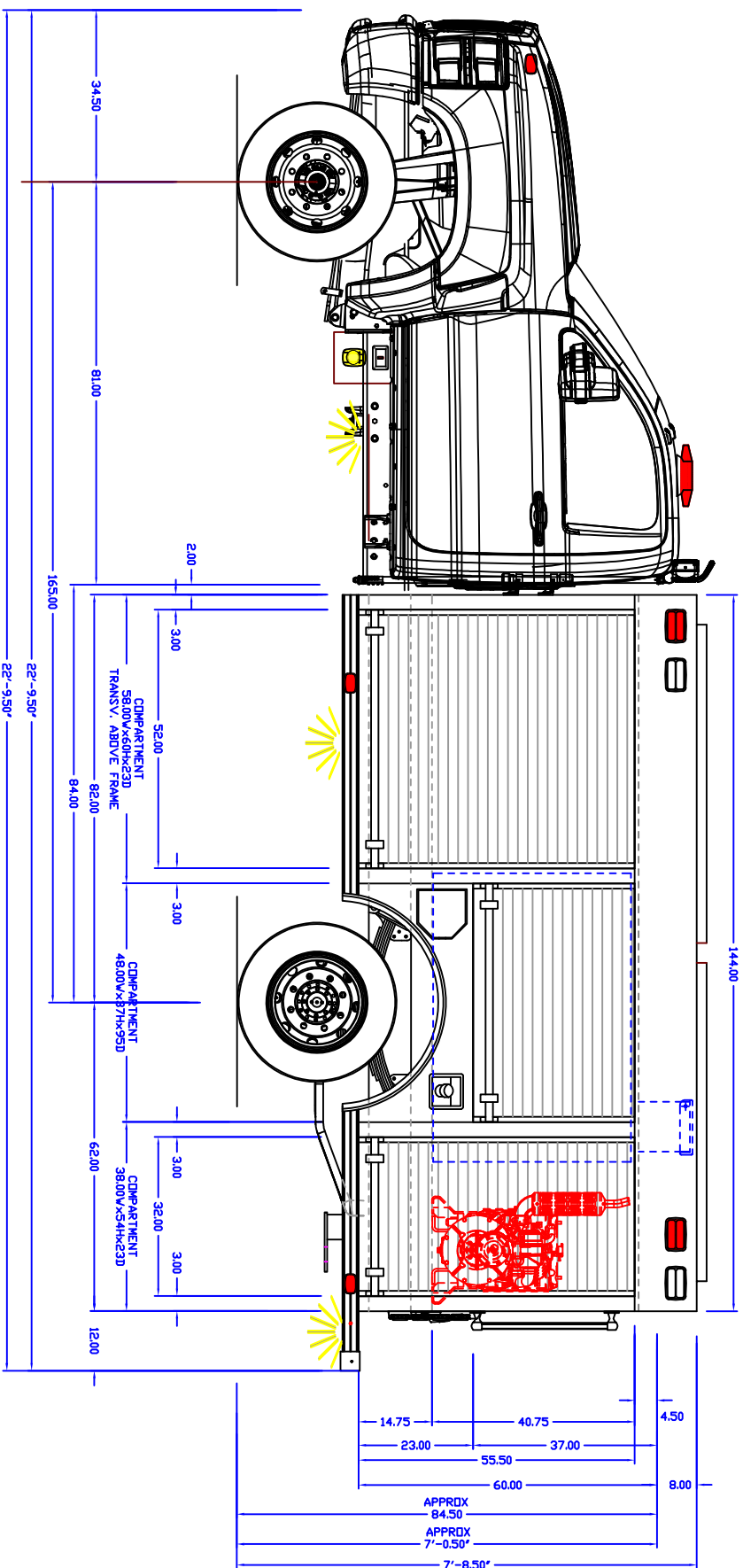


INITIALS: EH  
 JOB NUMBER: 31053-55  
 DATE: 8/4/2022

MAIN FILE: -  
 DEPT: -  
 DEALER: -

PRODUCTION APPROVED



- NOTES:
- OVERALL HEIGHT IS IN LOADED CONDITION. UNLOADED HEIGHTS MAY BE 4" ABOVE HEIGHTS SHOWN.
  - DO NOT SCALE DRAWING.
  - ALL DIMENSIONS ARE APPROXIMATE AND SUBJECT TO ENGINEERING CHANGES.
  - DRAWING MAY OR MAY NOT SHOW ALL ITEMS AS DESCRIBED IN THE WRITTEN DETAIL SPECIFICATIONS.
  - INCLUSION OF AN ITEM ON THE DRAWING DOES NOT CONSTITUTE INCLUSION OF THAT ITEM WITH THE FINAL DELIVERED UNIT.
  - THE EFFECTIVE DOOR OPENINGS WILL BE APPROX. 2" LESS THAN THE NOTED COMPARTMENT OPENING FOR ROLL UP DOORS AND UP TO APPROX. 4" LESS FOR HINGED DOORS

APPROVED BY:

CHASSIS:	NAVISTAR
PUMP:	AUX PUMP DARLEY
TANK:	POLY/400/10(FOAM)
PANEL MATL:	NA
COMP INTERIOR:	SPATTER PAINT
MAXIMUM HEIGHT	NONE
MAXIMUM LENGTH	NONE
BODY WIDTH	95"

REVISED: - DATE: -  
 DRAWN: MJ DATE: 4/20/22

PROPRIETARY AND CONFIDENTIAL  
 THE INFORMATION CONTAINED IN THIS DRAWING IS THE SOLE PROPERTY OF ROSENBAUER. ANY REPRODUCTION IN PART OR AS A WHOLE WITHOUT THE WRITTEN PERMISSION OF ROSENBAUER IS PROHIBITED.

IH CV SKID  
 UNIT 2DR 84



ROSENBAUER MINI 1/8"

DRAWING NUMBER: ih cv skid unit 2dr 84  
 REV: -