

GENERAL

EXTRUDED ALUMINUM BODY



 **rosenbauer**
Firefighting Technology

True Strength

Is The Sum Of Your Parts.

Down to The Smallest Detail.

At Rosenbauer, we think paying attention to the smallest detail is a big deal. We construct each General model from our own patented body design, so every part is given just as much attention as the next. Because the details that go into our trucks are just as important as the results that come out of them.





Water Tank Support and Subframe (4" x 3")

Minimum of six solid aluminum structural "I" beams with .29" flanges



Double Wall "I" Beam (4" x 2.5")

Used at the rear to support a higher stress load. These thicker beams (.375") are used in combination with other "I" beams to provide the best structure and subframe support.



"I" channels that don't end where the body starts.

General model "I" channels run all the way through the truck body for extra support, while conventional body channels are simply welded to the frame. This added strength allows the body to rest on the channel, distributing weight throughout the entire beam and reducing stress at the welds.

3



Pump Module Extrusion

4



Front and Rear Body Corners

5



Main Frame Sill (4" x 1.75" x 5")

Full length body rail made from 6061-T6 aluminum

6



Primary Extrusion (4" x 12")

Full length vertical extrusions with .2" wall thickness used at body corners and between each compartment.



High quality wheel well options.

Easily replaced wheel well housings are available in four-way aluminum, painted aluminum or stainless steel. Polished stainless fenderettes and high density radius inner liners are standard.



Fully protected wiring and lighting.

All wiring is encased within the body "C" channels so weather equipment and other gear won't snag or damage it. Lighting is also recessed for protection. Both lights and wiring are easily accessed via bolt-in-place panels.



Keep equipment dry and protected.

Roll-up doors open full width and above the compartments, offering increased storage space and service of doors in the closed position. Rolled-up doors are isolated in a separate compartment, eliminating moisture inside the storage space.



Nothing in the way of your storage space.

Adjustable tracks are an integral part of the "C" channel side walls. As a result, compartment shelves extend the full width of the compartment opening for increased storage space.



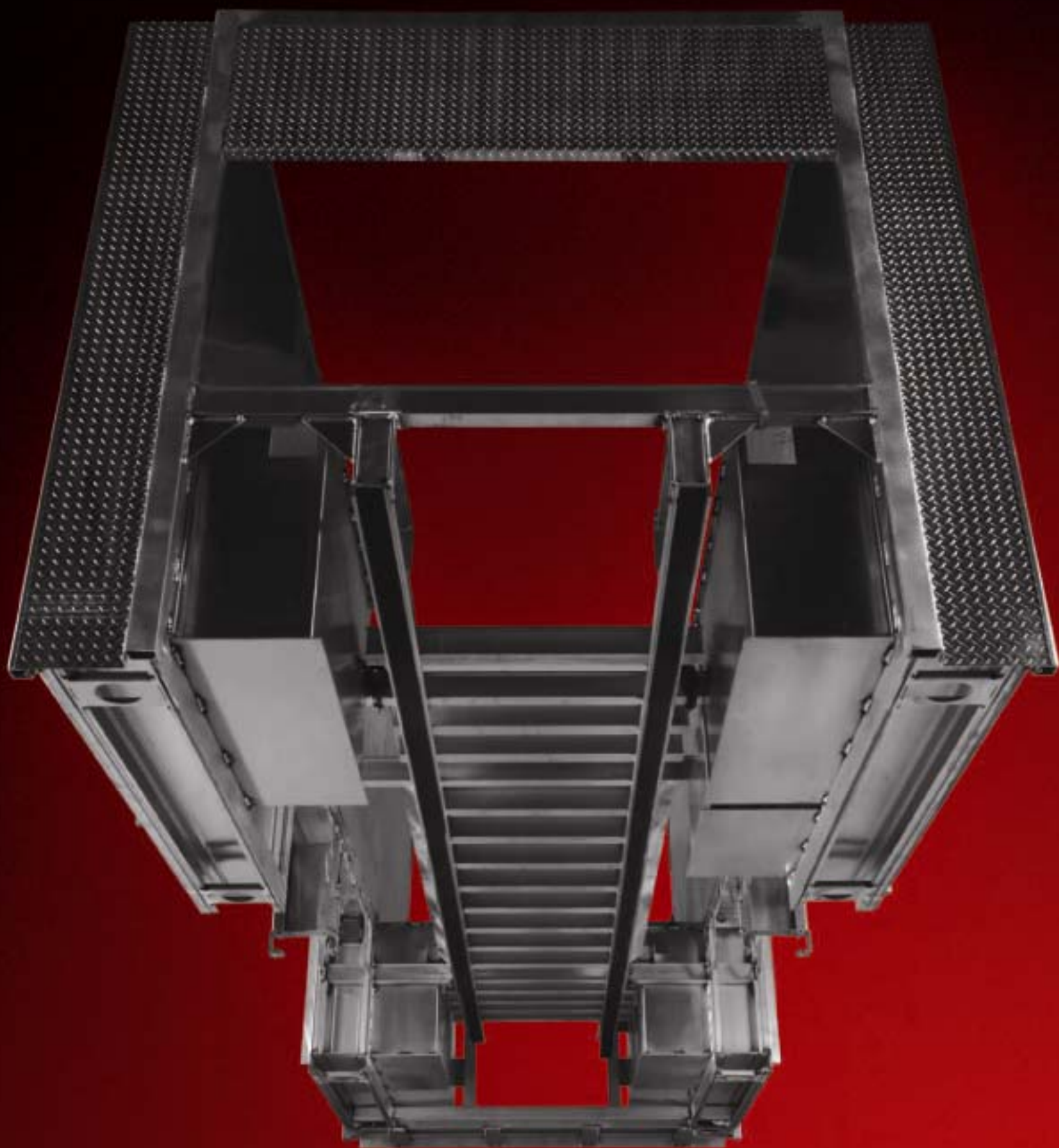
Storage from top to bottom.

Recessed roll-up doors offer topside equipment mounting so cord reels and other equipment can be attached to the ceiling for added storage.



Durable hinges that don't sacrifice space.

Compartment doors feature stainless steel hinges, which are concealed and protected from the elements, and striker pins that extend out of the door opening. Offset hinges also allow doors to open the full width of the compartment.





PTO & Split Shaft

Pumps up to 3000 GPM



Manual & Automatic Direct Injection Foam Systems

Class A & B foams



Poly Tanks With Lifetime Warranty

Fiberglass & steel optional



Gas, Diesel & Hydraulic Generators

Up to 30,000 watts



rosenbauer
Firefighting Technology

READY TO SERVE™

www.rosenbaueramerica.com

Central Division 100 Third St., Lyons, SD 57041 605.543.5591 • General Division 5181 260th St., Wyoming, MN 55092 651.462.1000
Aerials Division 870 South Broad St., Fremont, NE 68025 402.721.7622